

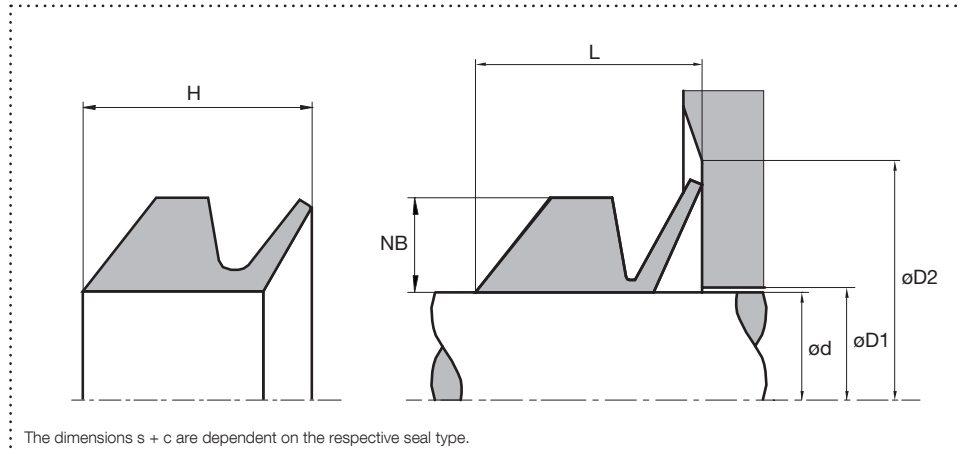


trygonal

# Rotary Seal TR07P

acting axially

## Housing design



## Surface finish

Roughness	Rtmax (µm)	Ra (µm)	Material portion
Sliding surface	≤ 2,5	0,1 – 0,5	Ratio contact area: 50 – 95% at a cutting depth of 0.5 x Rz starting from Cref = 0%
Groove base	≤ 6,3	≤ 1,6	
Groove flanks	≤ 15	≤ 3	

## Standard dimensions

ød h11 (mm)	øD1 max (mm)	øD2 min (mm)	NB (mm)	H (mm)	L (mm)
≥ 5 – < 40	d + 2,0	d + 12	4	9,76	8,5
≥ 40 – < 70	d + 2,5	d + 15	5	11,82	10
≥ 70 – < 100	d + 3,0	d + 18	6	14,23	12,5
≥ 100 – < 150	d + 3,5	d + 21	7	16,65	14,5
≥ 150 – < 210	d + 4,0	d + 24	8	19,11	16,5
≥ 210 – < 300	d + 5,0	d + 30	10	23,20	20,5
≥ 300 – < 450	d + 6,25	d + 36,5	12,5	28,31	24,5
≥ 450	d + 7,5	d + 45	15	33,42	28,5

## Material and application parameters

Sealing element	Temperature (°C)	max. sliding speed (m/s) <sup>1</sup>	max. pressure
HPU premium	-30 – +110	25	–
HPU diet	-20 – +110	25	–
HPU lubric	-20 – +110	25	–
HPU taiga	-50 – +110	25	–

<sup>1</sup> Axial support is recommended for sliding speeds above 10 m/s.

The specified application parameters are generally valid values and must not be used simultaneously with the application. An order can be placed by specifying the profile type, material and specified housing design dimensions.

## Design

- Polyurethane based V-ring seals axially
- Tight fit on the shaft
- Excellent wear behaviour
- Protects bearings from dust, dirt, oil, water, etc

## Application



rotating



oscillating

Brightened symbols:  
Seal only for limited use.  
Please contact us.