

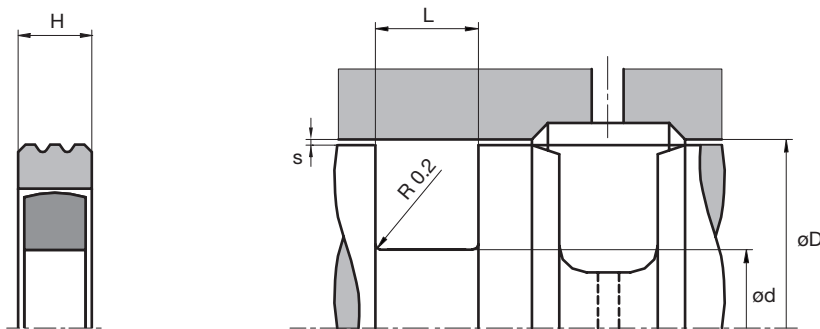


trygonal

# Rotary Seal TR10FS

## double acting

### Housing design



The dimensions  $s + c$  are dependent on the respective seal type.

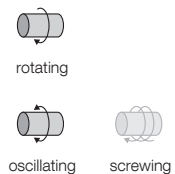
### Surface finish

Roughness	Rtmax ( $\mu\text{m}$ )	Ra ( $\mu\text{m}$ )	Material portion
Sliding surface	$\leq 2$	0,05 – 0,3	Hardness: min. 45 HRC (55 HRC recommended), insert depth > 0.3mm Contact area: 50 - 95% at a cutting depth of $0.5 \times R_z$ starting from $C_{ref} = 0\%$ .
Groove base	$\leq 6,3$	$\leq 1,6$	
Groove flanks	$\leq 15$	$\leq 3$	

### Design

- Aussendichtende Rotary Seal with Preload element, Wellendichtung
- Double sided sealing function of different pressures
- Einsatz bei hohen Drücken sowie nicht normierten Einbauräumen
- PTFE design for low friction

### Application



Brightened symbols:  
Seal only for limited use.  
Please contact us.

### Standard dimensions

$\varnothing D$ H8 (mm)	$\varnothing d$ h8 (mm)	L +0,2 (mm)	H (mm)	max. radial extrusion gap $s^1$ (mm)		
				100 bar	200 bar	350 bar
$\geq 15$ – < 49,9	D – 10	5	4,8	0,25	0,2	0,10
$\geq 50$ – < 60	D – 15	7,5	7,1	0,3	0,25	0,10
$\geq 60$ – < 200	D – 20	10	9,3	0,3	0,25	0,15
$\geq 200$ – < 300	D – 25	12,5	11,8	0,3	0,25	0,15
$\geq 300$ – < 530	D – 30	15	14,3	0,45	0,3	0,2
$\geq 530$ – < 650	D – 35	17,5	16,8	0,45	0,3	0,2
$\geq 650$ – < 1000	D – 40	20	19,3	0,5	0,35	0,25

<sup>1</sup>The specified extrusion gap is valid up to 70 °C, higher temperatures require lower values.

### Material and application parameters

Sealing element	Preload element	Temp. (°C)	max. sliding speed (m/s)	max. pressure <sup>2</sup>
PTFE carbon slide	NBR70	-30 – +100	0,4	350 bar (35 MPa)

<sup>2</sup>Pressure values as a function of the gap dimension.

The specified application parameters are generally valid values and must not be used simultaneously with the application. An order can be placed by specifying the profile type, material and specified housing design dimensions.

Our applied technical advice, either oral, written or through tests is given according to our best knowledge. However, this information is to be considered as non-obligatory instruction, also in terms of any protective rights of a third party, and does not exempt you from testing our product in reference to its suitability for the intended process and purpose. Utilisation, application and processing of the products occur entirely outside of our control and are therefore exclusively your responsibility. However, should a case of liability come into question, it will be limited to all damages in the value of the product which we delivered and you used. By all means, we do warrant the impeccable quality of our products in accordance with our general sales and delivery conditions.